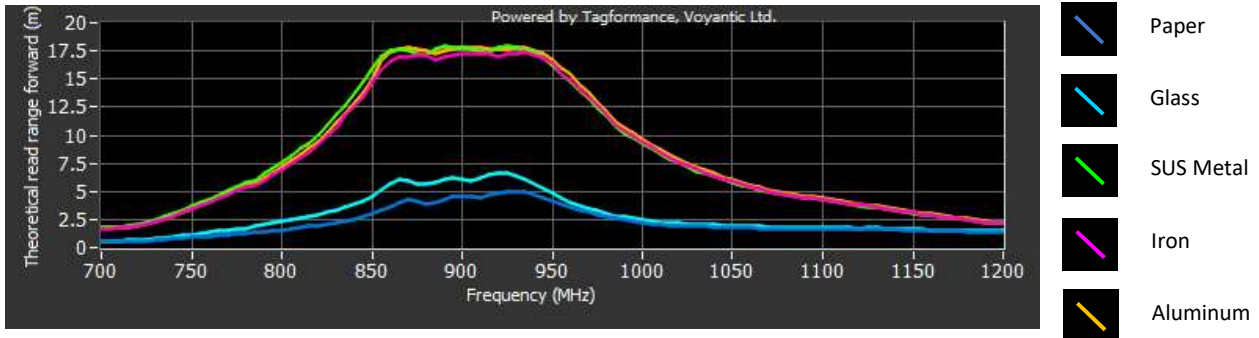


Specification	
Model Number	SPMU3618
Antenna Size	36×18mm
Frequency	860-920MHz
Air Protocol	ISO 18000-6C, EPC Class1 Gen2
IC chip	NXP UCODE 8
EPC Memory	128bit

Performance

Frequency Characteristics



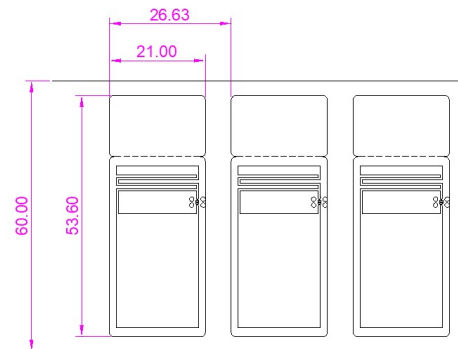
※These are the results measured by us using Voyantic Tagformance Pro.
 ※The performance distance when attached to iron, etc. is a reference value when using our test plate.

Label Specification

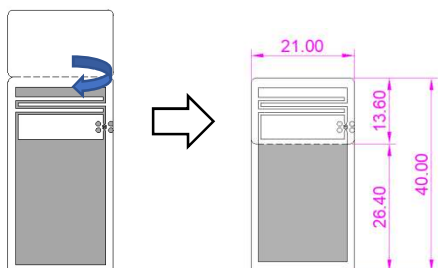
Label (53.6x21mm → 40x21mm)

Paper core	3 Inch
No. of good Products	2,000pcs/roll
Inlay Substrate	PET

※Please contact us as it can be changed according to your request.



Usage example



— Rewinding Direction —>

